



OVERSEAS

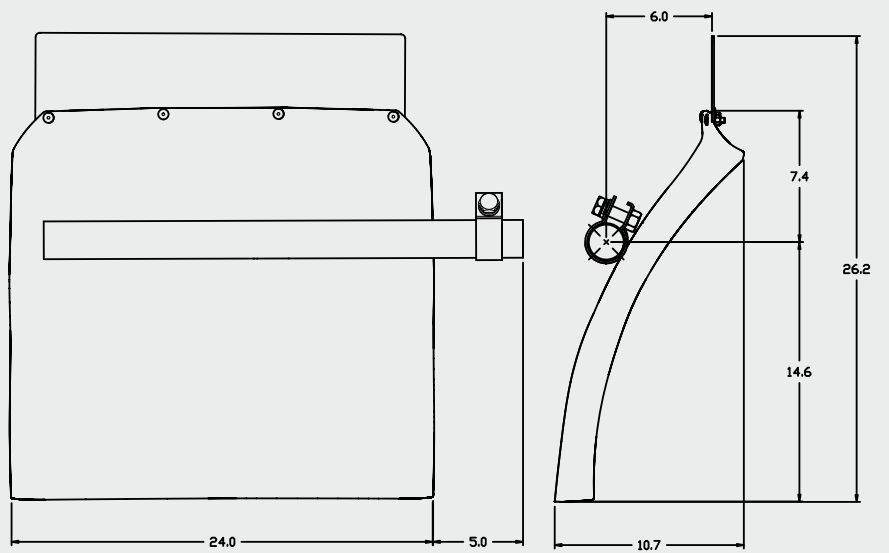
HEAVY DUTY QUARTER FENDER



KEY FEATURES

- Impact resistant plastic
- High quality steel fittings
- Spring washer for strong grip
- High density injection moulding

- ✓ Clean finish
- ✓ Grained fender surface
- ✓ ED coated fittings



PRODUCT BRIEF

- One-piece injection molded design results in a superior and more durable part.
- High Density Polyethylene material provides stiffness, strength, toughness and resistance to chemicals and moisture.
- Textured fender surface reduces scratches and dings.
- Heavy duty and long lasting.

STANDARD SET PACKAGE

- 2x Poly Fender
- 2x Top Plate
- 2x Steel Pipe
- 2x Steel Strip
- 2x Steel Clamp
- 2x Plastic Cap
- Set of Bolt, Nuts and Washers



STANDARD SPECIFICATIONS

SIZE	24" X 24"
MATERIAL	HDPE fender with steel fitting
STANDARD PACKING	2 pcs. kit



Manufactured and Marketed by:

ALP OVERSEAS PVT. LTD.

Corporate Office: Plot No. 32, Sector-18 HUDA, Gurgaon, Haryana - 122015 (INDIA)

☎ +91-124-4731500 📧 marketing@alpoverseas.com 🌐 www.alpoverseas.com

DEALER ENQUIRIES ARE SOLICITED FROM ALL OVER INDIA

Rajesh Arora: 9811015051 (All India); Lokesh: 9815017505 (North);

Rajshekhar: 9845095864 (South); Satish: 9920662926 (West); Sandip: 7870839074 (East)